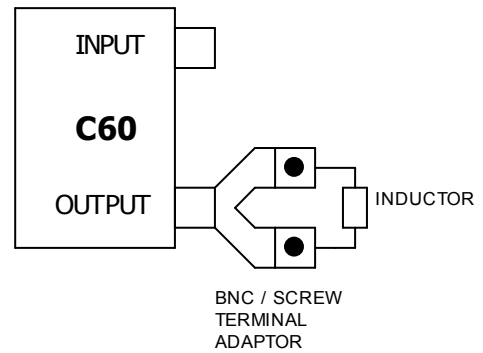


# AN012 - C60 Application Note

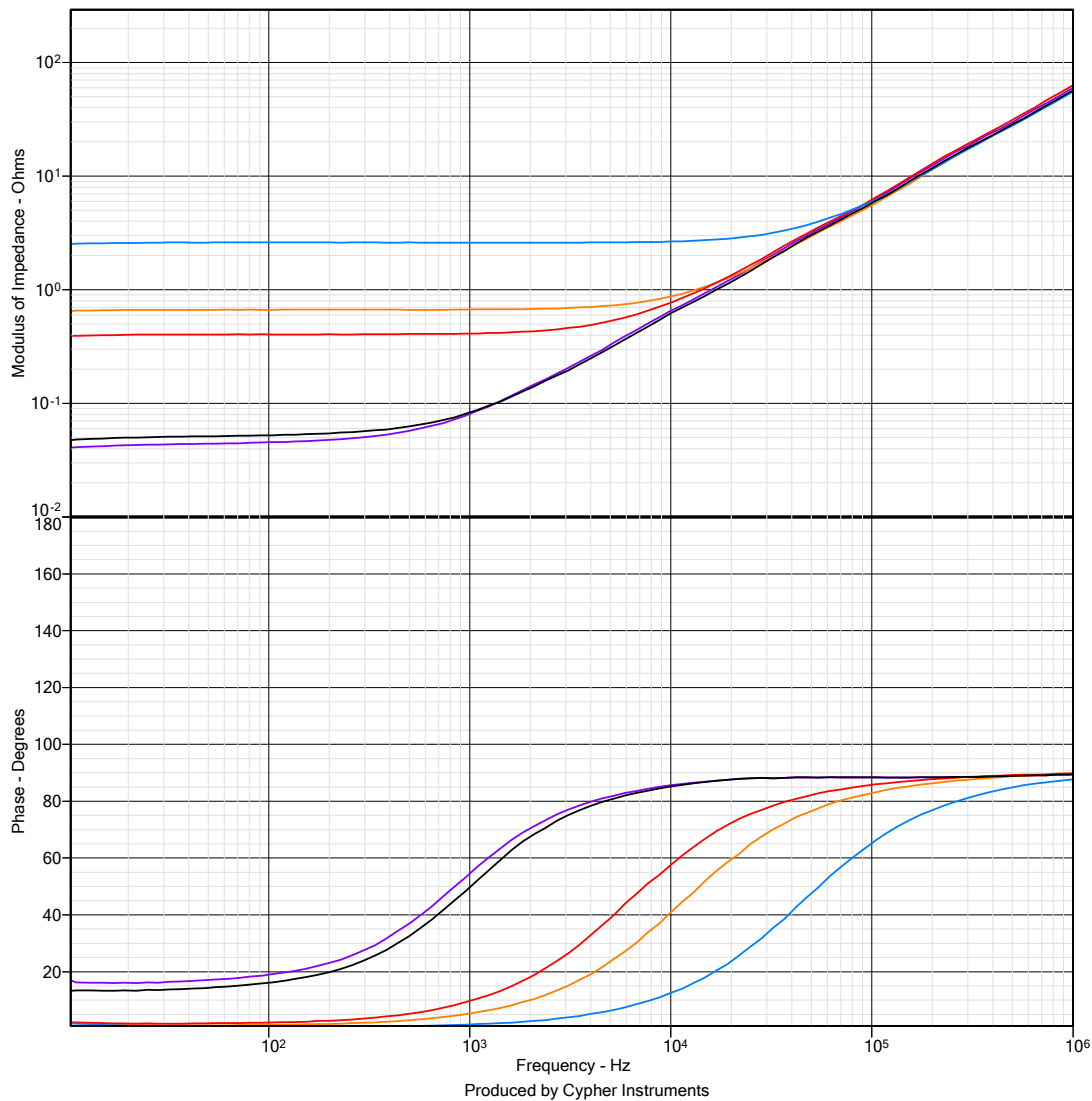
## Inductor impedance

The **impedance response** of five different makes of inductors was measured. Each inductor had 10uH printed on them. The main difference between them was the series resistance, which in turn would affect their maximum working current, their maximum magnetic field strength and also their minimum useful operating frequency.



**Figure 1. Connection diagram**

Five inductors with 10uH marking



**Figure 2. Complex impedance of five 10uH inductors**